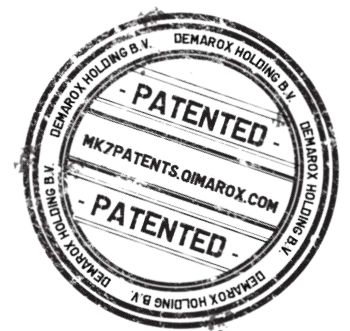
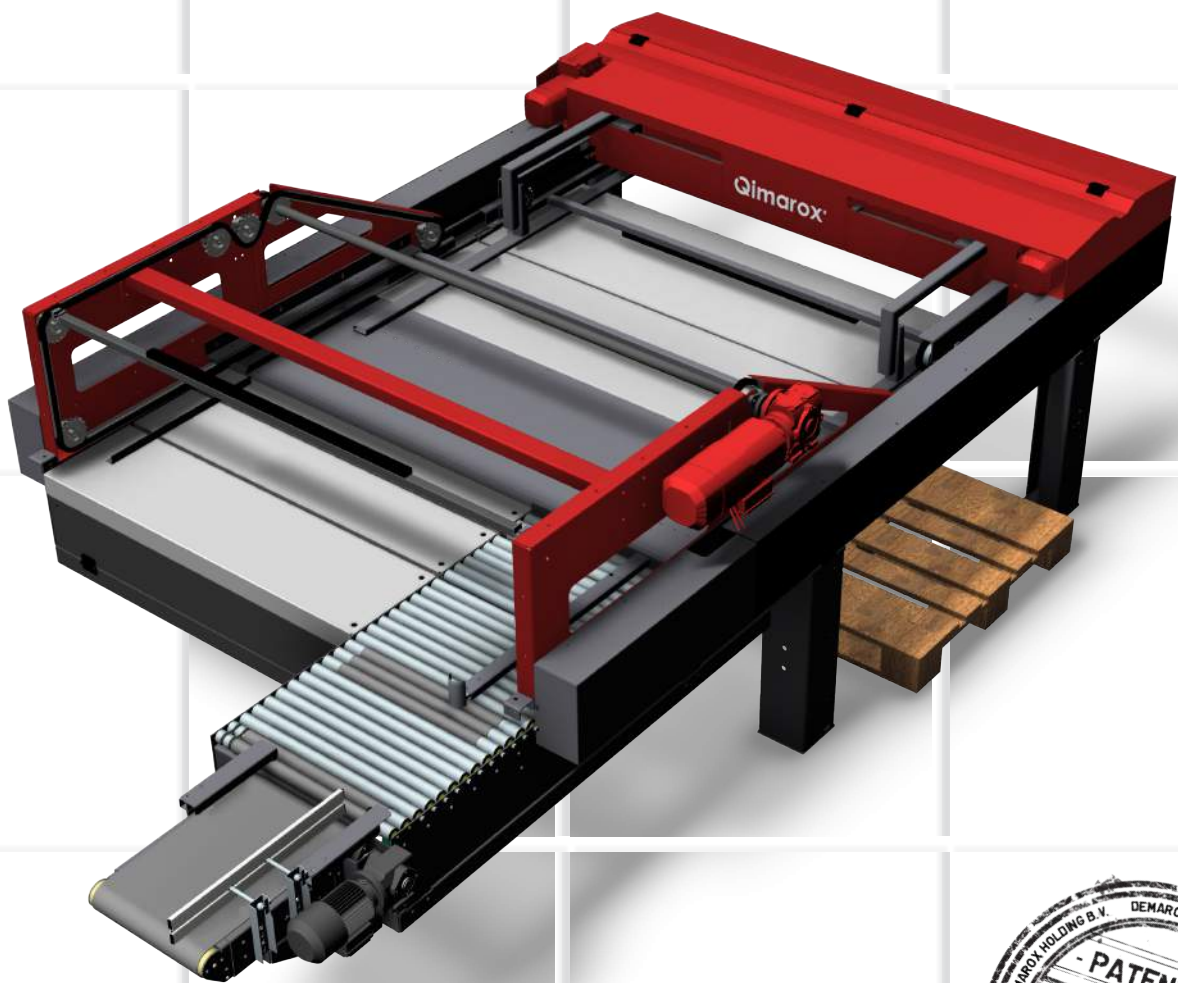


QIMAROX HIGHRUNNER® Mk7

The Highrunner Mk7 is a standard palletiser that excels in both simplicity and versatility. Its simplicity lies in its modular design and standardised control system, allowing any system integrator to easily integrate the machine into any end-of-line system. Its versatility is the result of its patented pattern-formation slider that can place products in almost any stacking pattern entirely steplessly and with great accuracy. The Highrunner mk7 combines the flexibility of a robotic palletisers with the capacity of a layer palletiser.

From:

€29.000,-

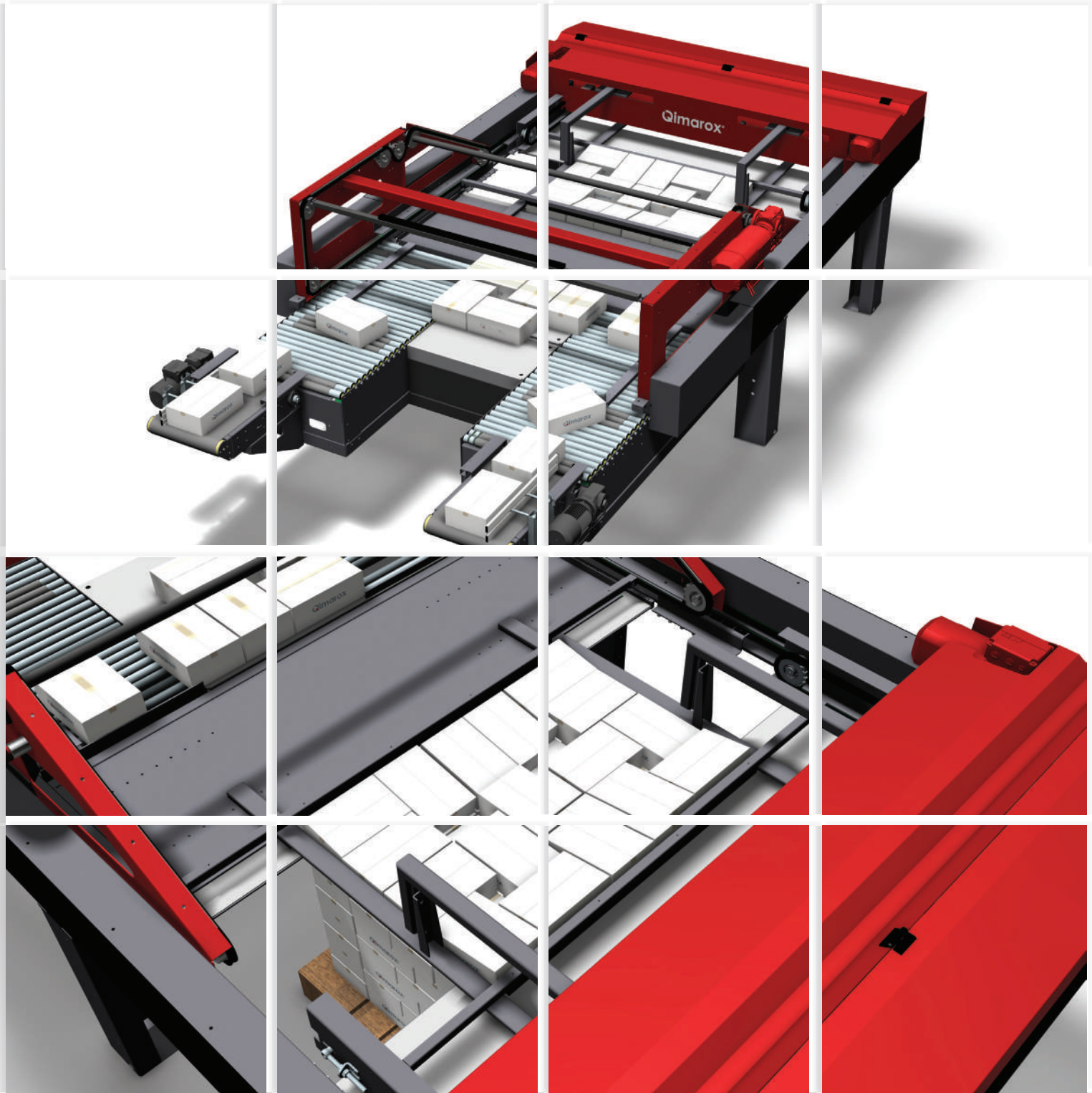


Key Components for material handling:

- Safety Fencing
- Vertical Conveyors
- Palletising Modules

Benefits of the Highrunner Mk7:

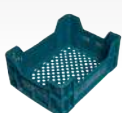
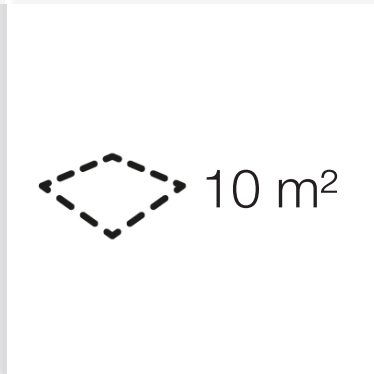
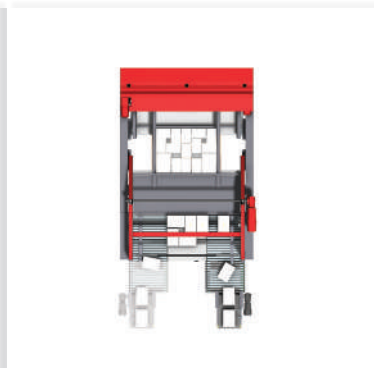
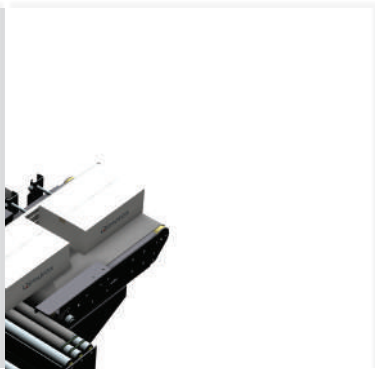
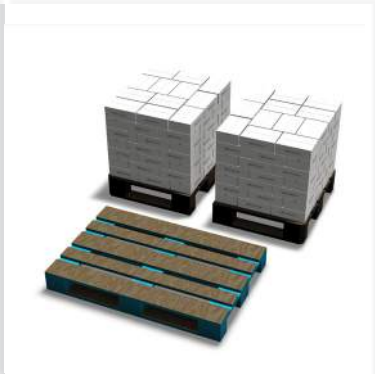
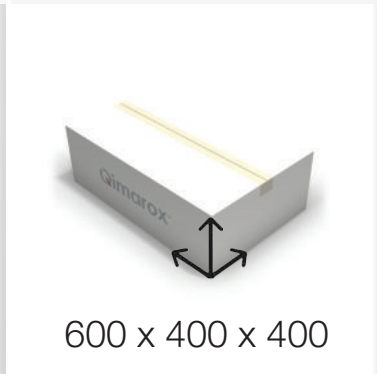
- High speed machine with capacity up to 3500 products per hour.
- Placing complete rows or layers on the pallet all at once
- No changeover times when changing products or stacking pattern
- Infinitely variable positioning with 100% accuracy
- Enter almost any stacking pattern via touch screen
- Low total cost of ownership thanks to durable, standard parts
- Less energy consumption and wear due to optimal control
- Available from only €29,000



Key Components for material handling:

- Safety Fencing
- Vertical Conveyors
- Palletising Modules

Especificaciones		Mín.	Máx.
Infeed	mm.	800	6.000
Product	L x W x H mm.	150 x 100 x 100	600 x 400 x 400
Product capacity	p/hour.	500	3.500
Capacity layers	p/hour.	240	450
Peso	kg.	1	25



Key Components for material handling:
 • Safety Fencing • Vertical Conveyors • Palletising Modules

Customer: _____

Drawing stacking patterns: Send to info@Qimarox.com

E-mail: _____

Drawing stacking patterns

Product: _____



Product dimensions: x x mm.

Product capacity: min. p/min. Max p/min.

Capacity layers: min. p/min Max p/min

Number of layers per pallet:

Product weight: min. kg. Max kg.

Product infeed orientation: Short / Long side leading

Pallet infeed orientation: Short / Long side leading

Pallet outfeed orientation: Short / Long side leading

Product infeed height: mm.

Pallet outfeed height: mm.

Safety guard: Yes / No

Safety guard door: Yes / No

Operational: / | /

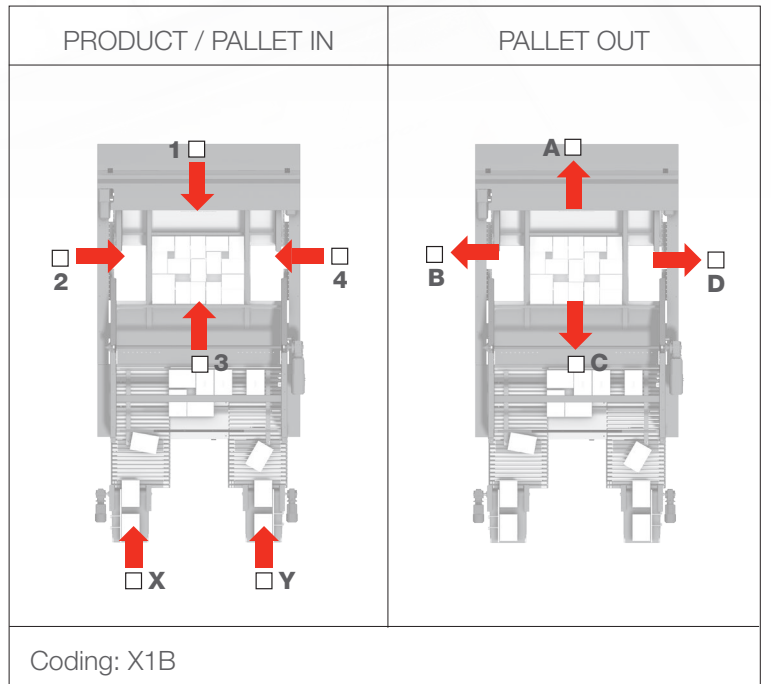
Hours / Days Days / Week

Number of stacking patterns:

Pallet dimensions: Min: x x mm.
Max: x x mm.

Layout: Send to info@Qimarox.com

Special notes: _____



Suitable for

- Containers • Cardboard boxes • Shrink-wrapped products • Packages and soft packages
- Magazines • Newspaper bundles • Frozen foods • Trays • Packaged bottles • Boxes • Crates

" DISCLAIMER: this document is for informational en promotional purposes only
all orders are subject to the Qimarox terms and conditions and Qimarox's written confirmation. Copyright © 2013 Qimarox™ "